

electric contacts for inert gas filled thermometers



PED 2014/68/EU

These accessories are provided with movable contacts in air which open or close electric circuits depending on the position of the indicating pointer. They have to be assembled with inert gas filled thermometers of NUOVA FIMA production, which, in this way, turn into temperature switches: the best and safer solution to automatize any kind of equipment.

Contacts: sliding, magnetic snap action. Functional and constructive characteristics, wiring and electronic tables are shown in the attached data-sheet: "ELECTRIC CONTACT".

Accuracy: when the indicating pointer is affected by the contact link add to the gauge accuracy 50% of the accuracy value (except for the working area within $\pm 5\%$ in case of magnetic type contact).

Contact setting: over an arc of 270° , through the knob placed on front lens or through removable key.

Electrical wiring: junction box PG9 as per DIN 43650 or cable 0,5 mt.

Ambient temperature: $-25...+65 \infty C$.

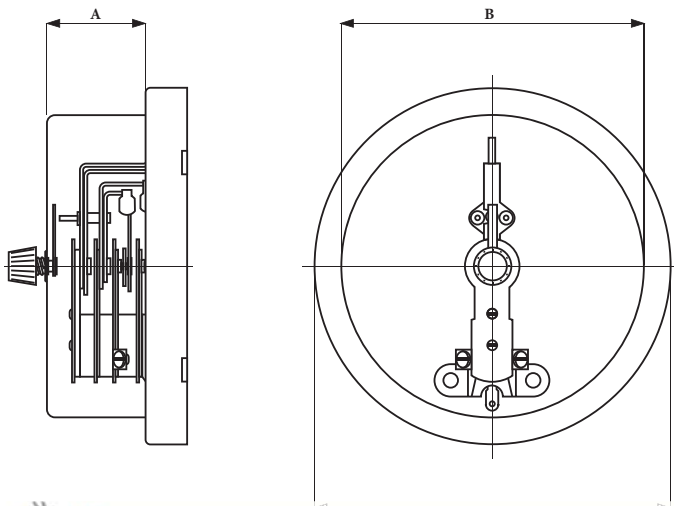
Protection: IP 44 as per IEC 529, (option IP 55).

Contact material: Silver-Nickel 80%-20% (options Gold-Silver and Platinum-Iridium).

Window: Makrolon.

Overtemperature: non suitable.

DIMENSIONS (mm)



Single contact

DS	A	B	C
100	29	95	110,6
150	29	141	161

Double contacts

DS	A	B	C
100	36	95	110,6
150	36	141	161

MODEL	TG8 DS 100-150		
Mounting	Lower, back, with back flange also		
Contact type	Sliding and magnetic snap-action contact		
Contact number		2	2 independent
Junction box	3 poles + GND	3 poles + GND	
ø exit cables: inches (mm)	0,23...0,35 (6...9)	0,23...0,35 (6...9)	
Cable exit ø cable: inches (mm)			4 poles + 1 0,27 (7)

MODEL	TG8 DS 100-150		
Mounting	Back, with front flange		
Contact type	Sliding and magnetic snap-action contact		
Contact number	1	2	2 independent
Junction box	3 poles + GND	3 poles + GND	
ø exit cables: inches (mm)	0,23...0,35 (6...9)	0,23...0,35 (6...9)	
Cable exit ø cable: inches (mm)			4 poles + 1 0,27 (7)

MODEL	TG8 DS 100-150		
Mounting	Back, with U-clamp		
Contact type	Sliding and magnetic snap-action contact		
Contact number	1	2	2 independent
Junction box	3 poles + GND	3 poles + GND	
ø exit cables: inches (mm)	0,23...0,35 (6...9)	0,23...0,35 (6...9)	
Cable exit ø cable: inches (mm)	2 poles + GND (1) 0,19 (4,8)	3 poles + GND (1) 0,23 (6)	4 poles + 1 0,27 (7)